

# Connector Adaptors



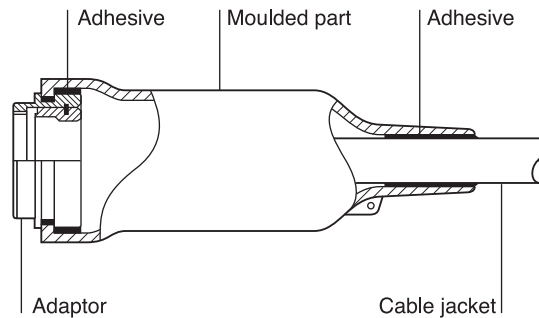
Connector Adaptors are designed for use with heat-shrinkable moulded shapes to provide high performance sealing, strain relief and EMC screening. A wide range of adaptor types are available to fit most designs of circular military connectors and are manufactured in a variety of materials and platings for optimum connector compatibility. They are particularly suitable for military, aerospace, marine and mass transit applications.



## Solid Adaptors (fixed)

Solid adaptors are designed for use where no access is required; for example, when potting is necessary or a lower space profile is needed.

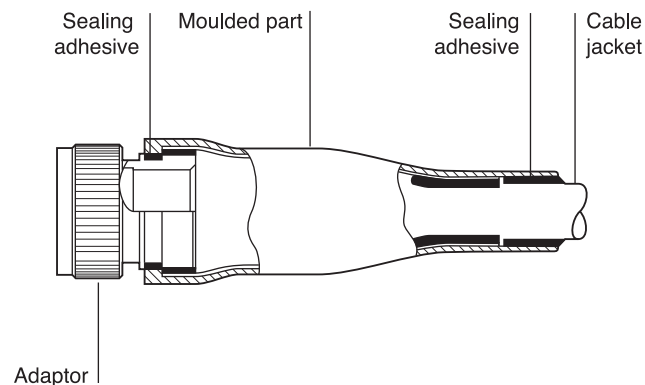
These adaptors have a boot groove to accommodate a lipped heat-shrinkable boot. Repair cannot be made without removing the boot.



## Spin-coupling Adaptors

Spin-coupling adaptors are two-part components that have a rotatable coupling nut and a grooved body designed to accommodate lipped-type heat-shrinkable boots.

Spin-couplings with an appropriate moulded part are used for environmental protection and strain relief of unscreened cable terminations. Cable repairs can be made without damaging the boot.

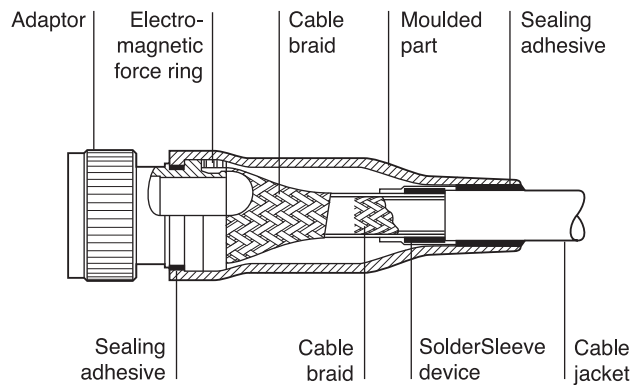


**cabletec**

## Shielded Adaptors

These are spin-coupling adaptors that have a short length of tubular braided shield attached to the rear of the adaptor. The braid is constructed from tinned copper wire and has a handling characteristic that enables it to be pulled down onto a wide range of cable diameters. This allows a standard entry size to be used with most cable sizes.

The shield is terminated to the cable braid using a SolderSleeve device, which provides screen continuity through to the connector. Straight, 45° and 90° configurations are available.

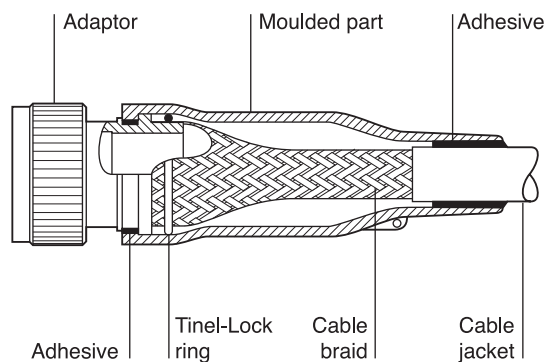


## Tinel-Lock Adaptors

This termination system consists of a modified spin-coupling adaptor with a Tinel-Lock ring. The Tinel-Lock ring is made from a special shape memory metal that shrinks uniformly when heated.

The Tinel-Lock ring is used to terminate copper cable braid directly onto the rear of the adaptor. The adaptor entry size and ring designator must be selected to suit the cable diameter and braid type.

The resulting 360° termination withstands severe shock, vibration, temperature cycles and corrosion. Straight, 45° and 90° configurations are available.



**For details of the complete range of adaptors, materials, dimensions and connector compatibility please contact Cabletec's sales office.**

***cabletec***