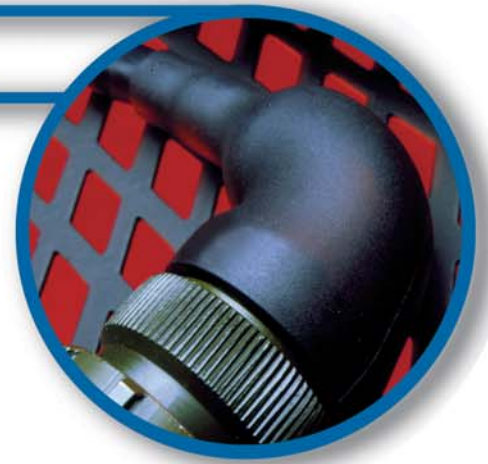
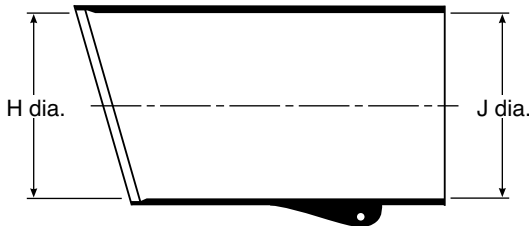


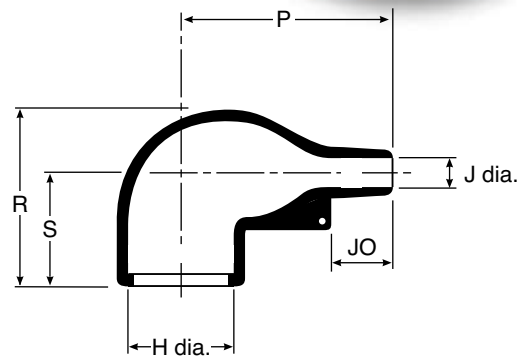
# Right Angled, Lipped Boot



222K121 to 222K185 are heat-shrinkable right angled lipped boots for use in conjunction with connector adaptors to provide strain relief for harness systems using circular connectors. They are available with a pre-coated adhesive to provide an effective environmental seal between the connector and the cable.



As supplied



After unrestricted recovery

## 222K121 to 185 Right angled, lipped boot

### Materials available

- 3 Semi-rigid modified polyolefin
- 4 Flexible modified polyolefin
- 12 Modified fluoro-elastomer (Viton)
- 25 Fluid resistant modified elastomer
- 100 Low fire-hazard, zero-halogen polyolefin

### Table of dimensions (mm)

Dimensions apply to all materials unless otherwise indicated

	Expanded as supplied (min)				Recovered after heating (max)					
	H	H	J	J	H	J	P	R	S	JO
	-12, -100		-12, -100							
222K121	24.0	24.0	24.0	14.0	10.4	5.6	25.0	25.0	18.0	8.5
222K132	30.0	30.0	30.0	15.0	14.2	5.9	32.0	27.0	18.0	8.5
222K142	31.0	31.0	31.0	18.0	18.0	7.1	39.0	31.0	18.0	15.0
222K152	36.0	36.0	36.0	21.0	22.4	8.4	46.0	38.0	25.0	16.0
222K163	43.0	43.0	43.0	25.0	28.2	9.9	55.0	45.0	25.0	17.5
222K174	60.0	52.0	60.0	39.0	35.1	15.7	80.0	54.0	25.0	32.0
222K185	66.0	66.0	66.0	42.0	44.5	16.8	108.0	68.0	35.0	48.0

Coatings	Material	Recommended coatings:
	-25	/86 High temperature hot melt adhesive /225 Pre-coated curing adhesive
	-100	/180 Low fire-hazard hot melt adhesive
	-3, -50	/86 High temperature hot melt adhesive
	-3, -4	/42 General purpose hot melt adhesive
Modifications		Code
	Potting ports	-00

